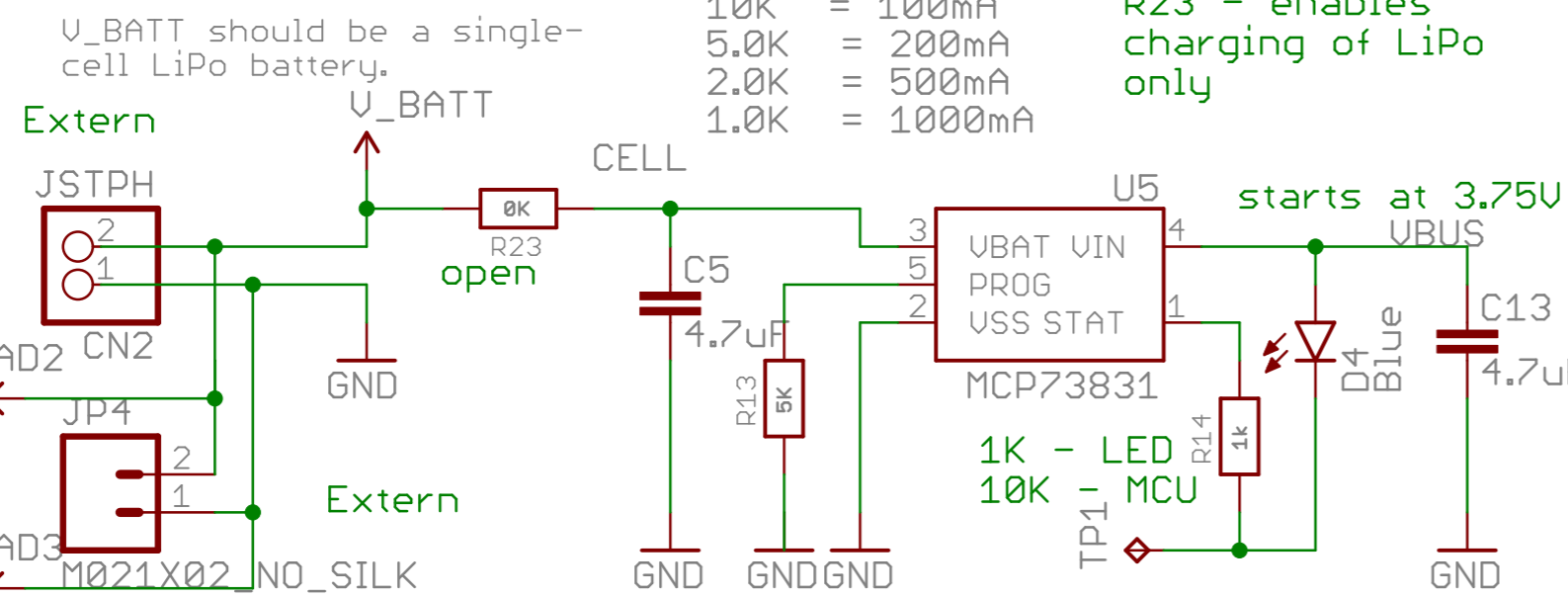
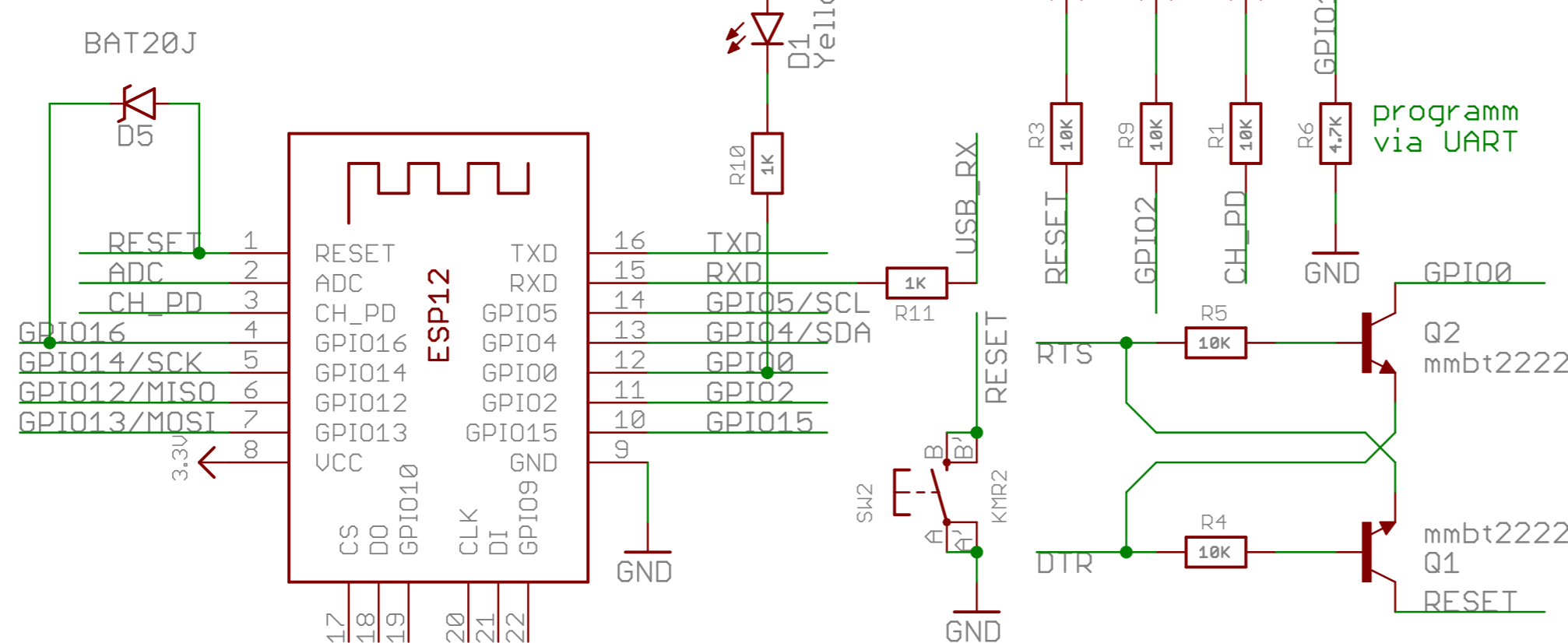


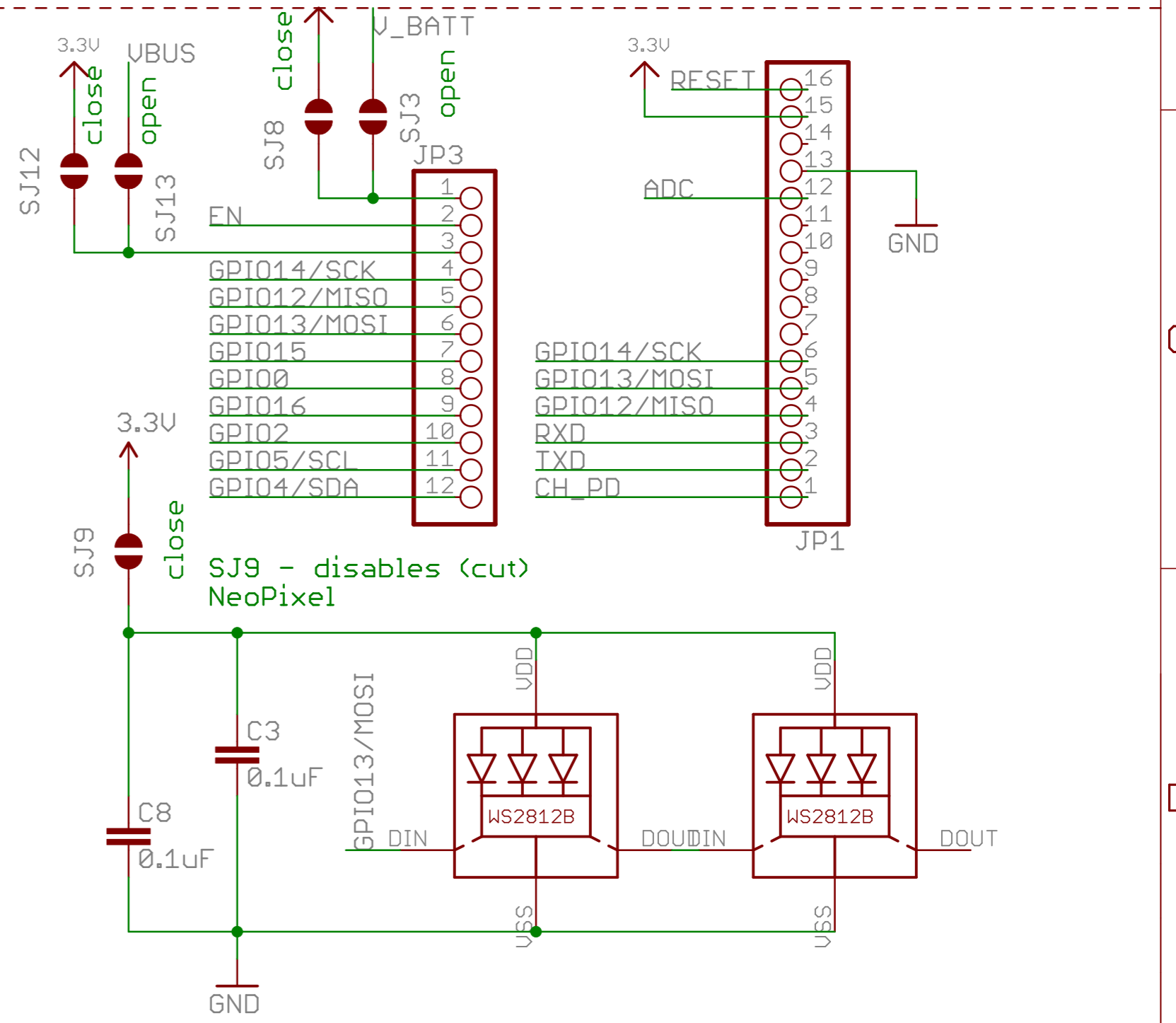
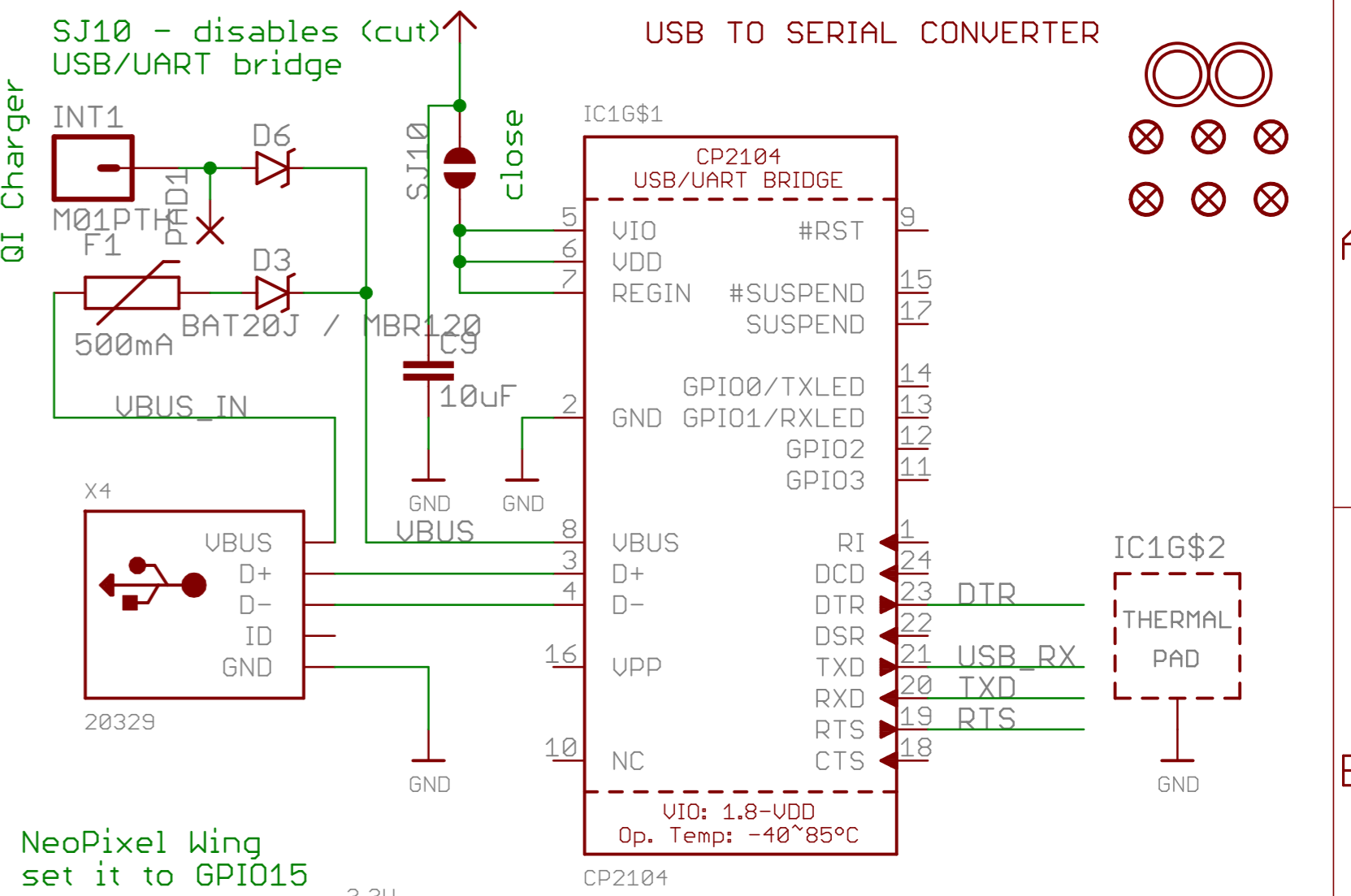
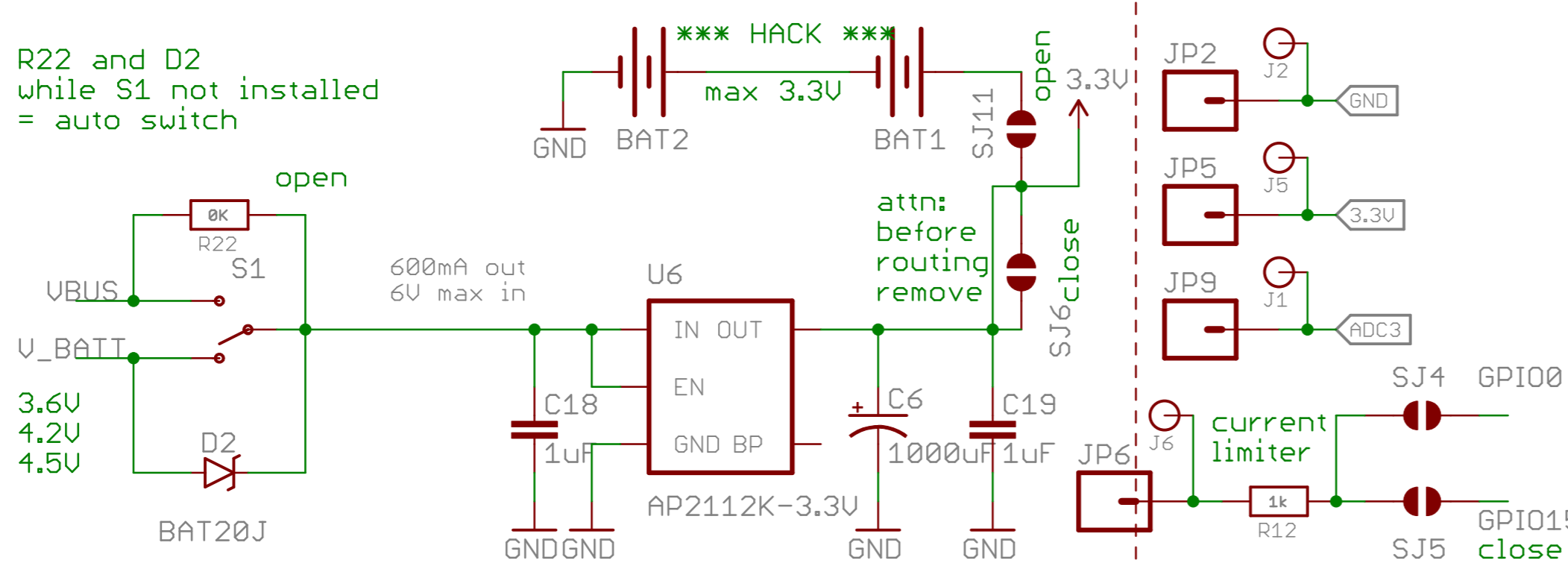
Lithium-Polymer Battery Charger (1-cell) 3.6,4.2,4.5V



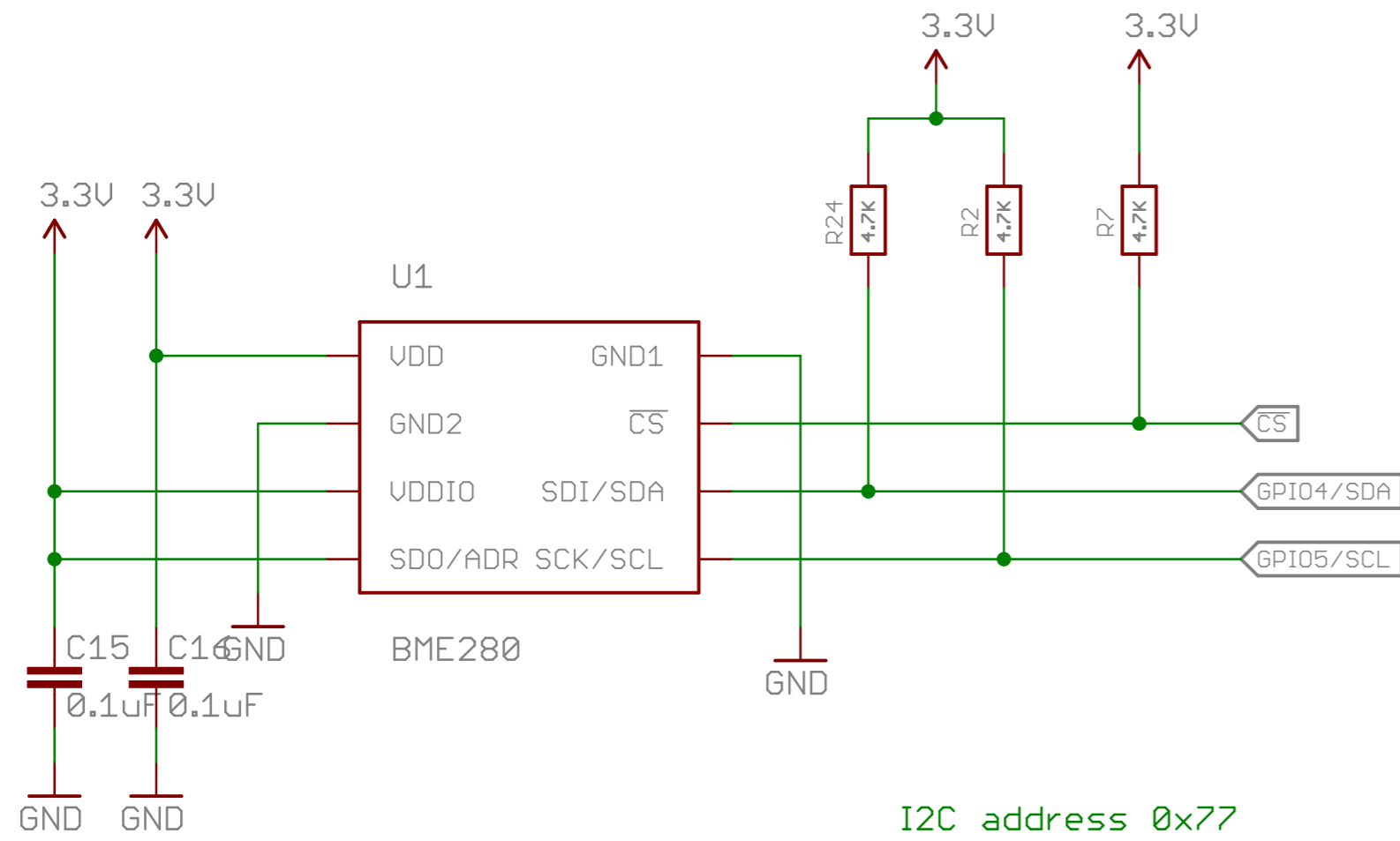
ESP8266 MODULE + AUTORESET



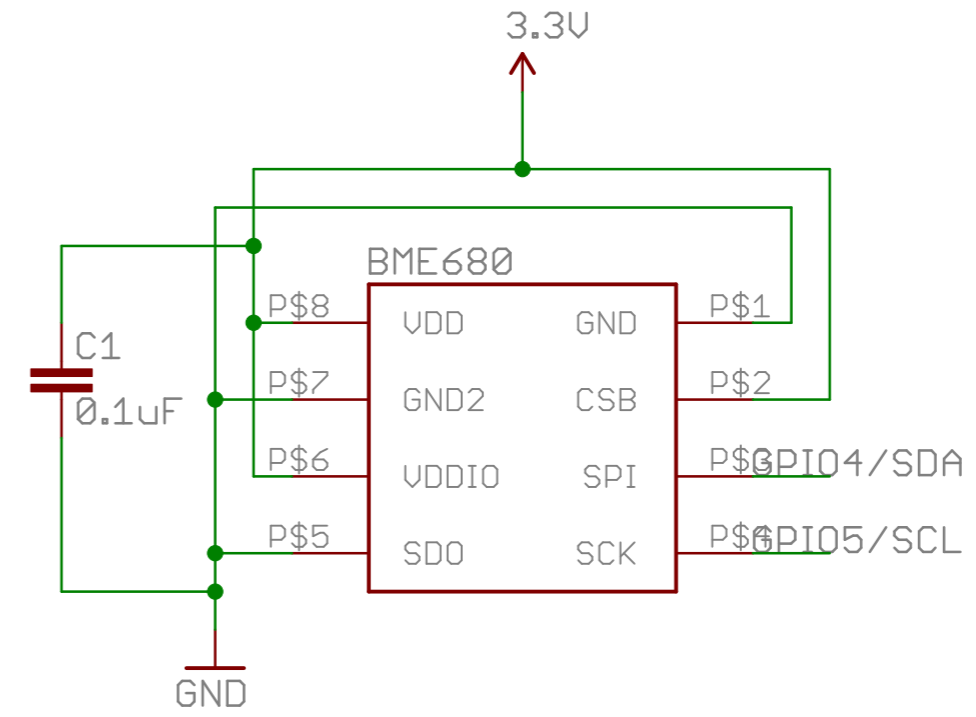
Voltage Regulator and Battery Charger



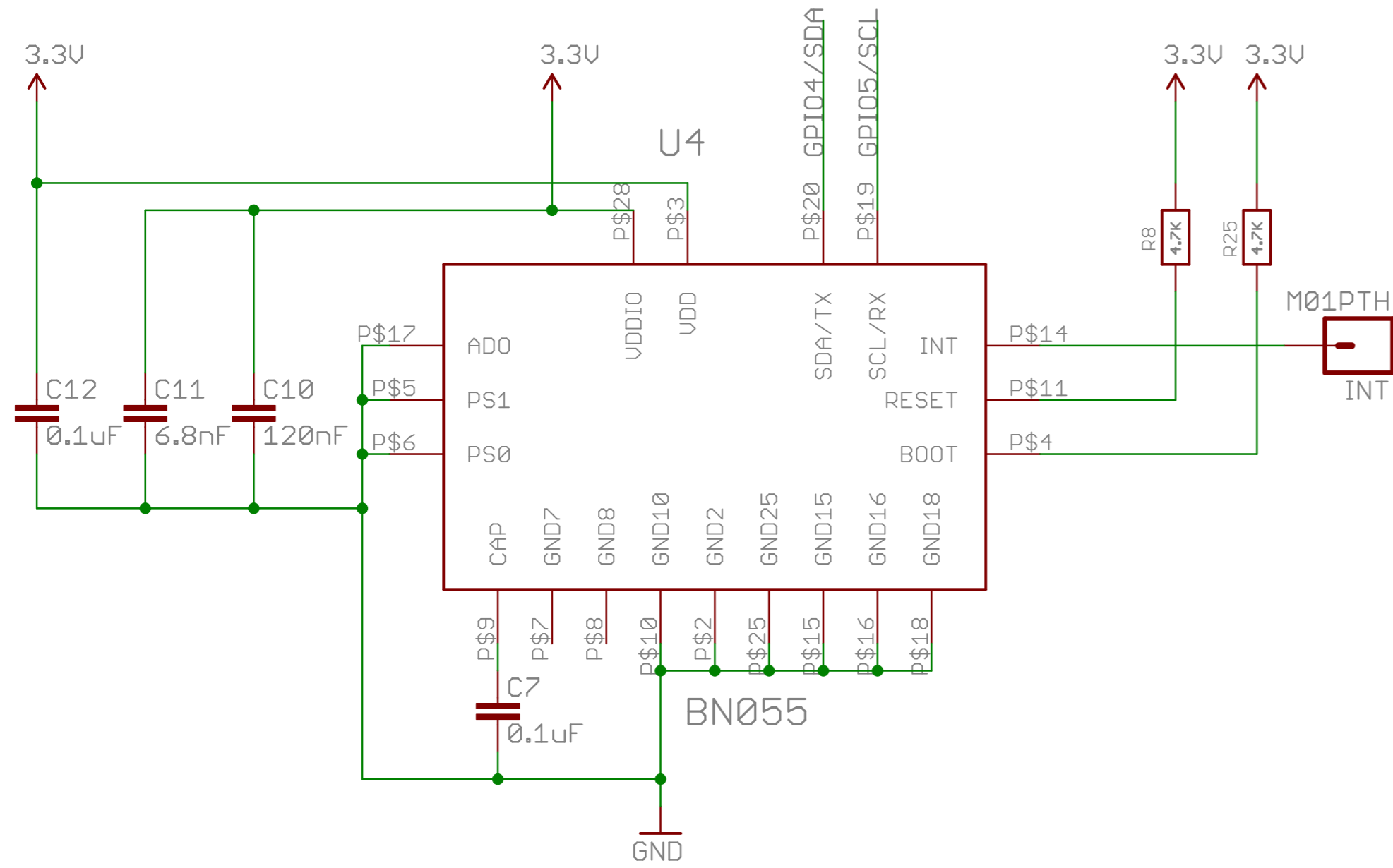
Bosch Sensortec - BME280



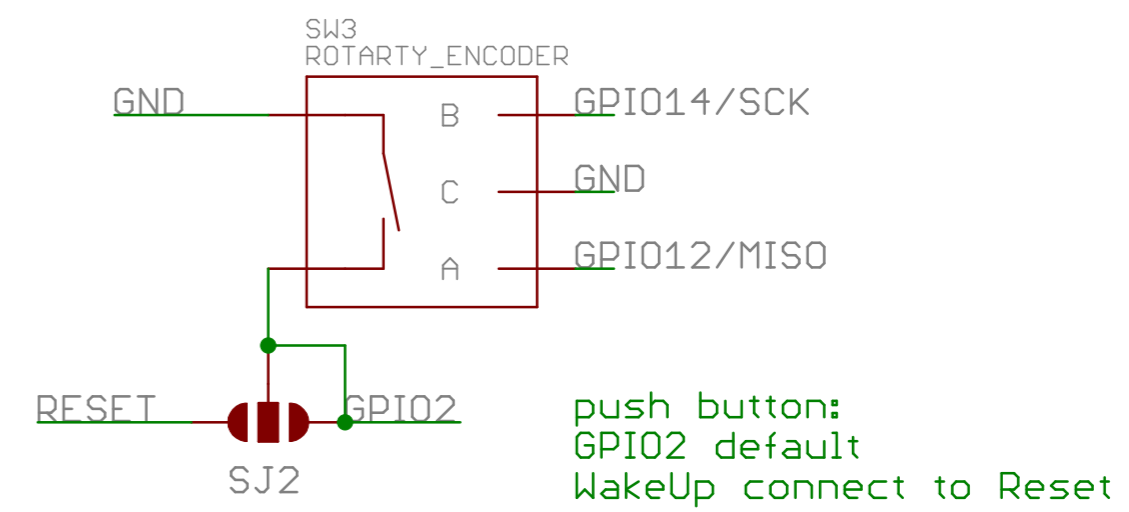
AirQuality



Bosch Sensortec - BN0055 - 9DOF



Rotary Encoder



Guido Burger, www.fab-lab.eu

TITLE: Octopus_Basic_nopush

Document Number:

REV:
101

Date: 13.11.2016 12:31:36

Sheet: 1/1